

FEATURES

- | Bi-directional

- | Halogen-free

- | Low slope resistance

- | Very low clamping voltage

- | Sharp breakdown voltage

- | Symmetric in leads width for easier soldering during assembly

- | Glass passivated junction

- | Ultra compact: less than one-tenth the size of traditional discrete solutions



AK10

APPROVALS

RoHS	Compliance with 2011/65/EU
HF	Compliance with IEC61249-2-21:2003

MAXIMUM RATINGS (T_A=25°C)

Parameter	Symbo	Value	Unit
Storage Temperature Range	T _{STG}	-55~150	°C
Operating junction Temperature Range	T _J	-55~125	°C
Current Rating	I _{PP}	10	KA

Notes:
 Rated Ipp measured with 8/20uS pluse

ELECTRICAL CHARACTERISTICS (T_A=25°C)

Part Number	Device Marking Code	Standoff Voltage (V _{WM}) (V)	Max. Reverse Leakage (I _R) @V _{WM} (uA)	Typical I _R @85°C uA	Reverse Breakdown Voltage V _{BR} @I _T		Test Current I _T (mA)	Maximum Clamping Voltage (I _{PP})		Max.temp Coefficient Of V _{BR} (%/°C)	Max. Capacitance @0Bias 10KHz (pF)
					Min(V)	Max(V)		V _C (V)	I _{PP} (A)		
AK10-015C	10-015C	15	10	15	16	19	10	28	10000	0.1	12.0
AK10-030C	10-030C	30	10	15	32	37	10	58	10000	0.1	11.0
AK10-058C	10-058C	58	10	15	64	70	10	110	10000	0.1	6.5
AK10-066C	10-066C	66	10	15	72	80	10	120	10000	0.1	6.5
AK10-076C	10-076C	76	10	15	85	95	10	140	10000	0.1	6.5
AK10-170C	10-170C	170	10	15	180	220	10	260	10000	0.1	2.8
AK10-190C	10-190C	190	10	15	200	245	10	290	10000	0.1	2.5
AK10-240C	10-240C	240	10	15	250	285	10	340	10000	0.1	2.2
AK10-380C	10-380C	380	10	15	401	443	10	520	10000	0.1	2.0
AK10-430C	10-430C	430	10	15	440	490	10	625	10000	0.1	1.4
AK10-530C	10-530C	530	10	15	560	619	10	750	10000	0.1	1.0

CHARACTERISTIC CURVES

Fig.1 Peak Pulse Power Rating Curve

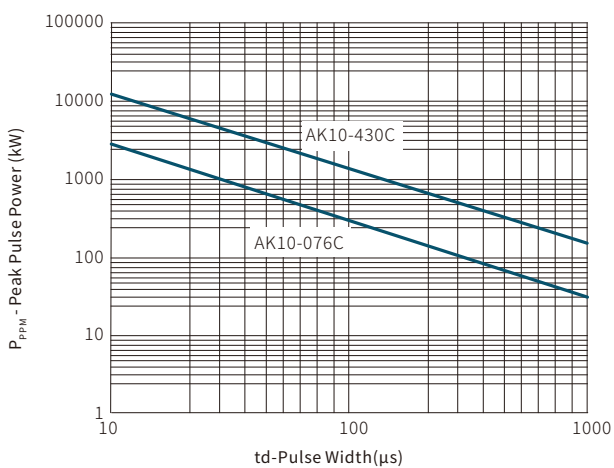


Fig.2 Pulse Derating Curve

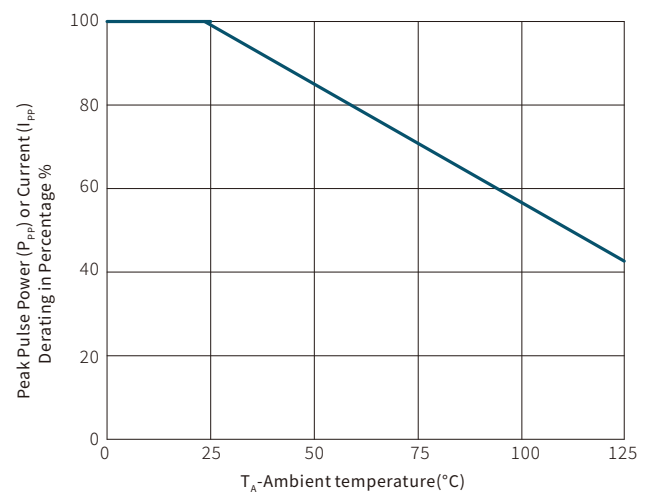
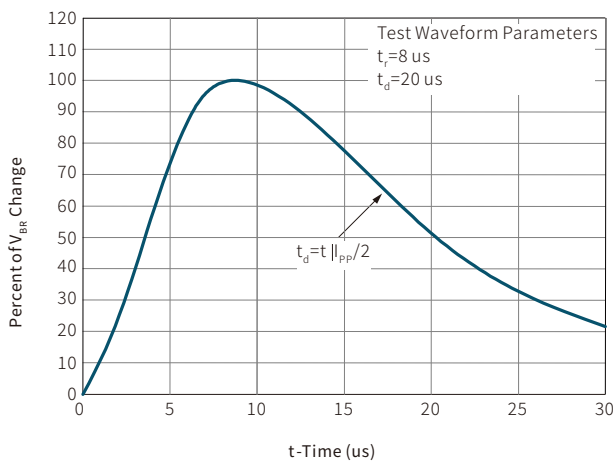
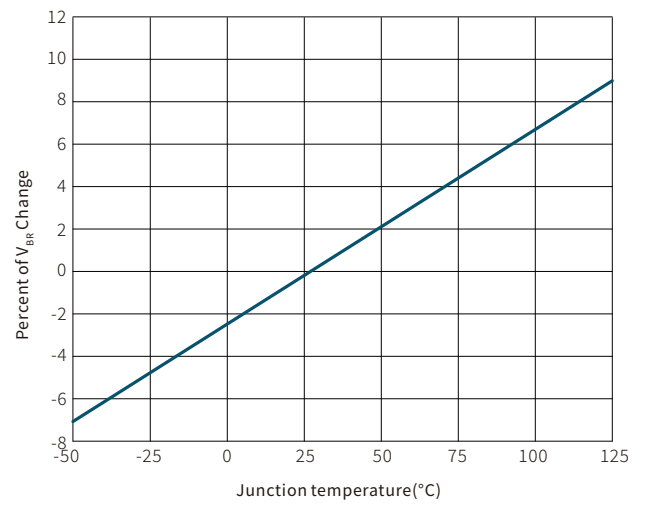
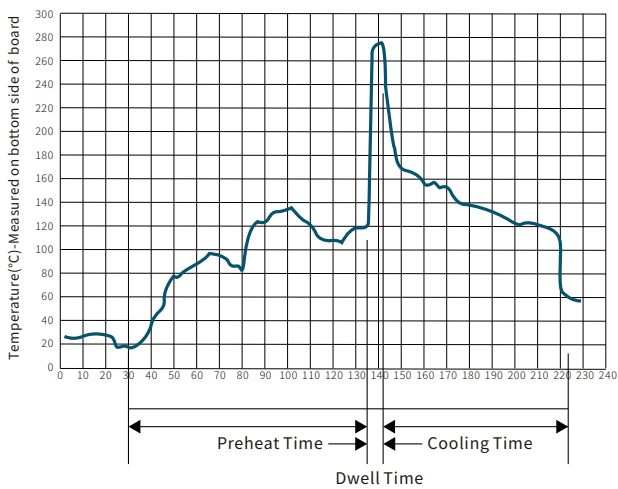


Fig.3 Pulse Waveform

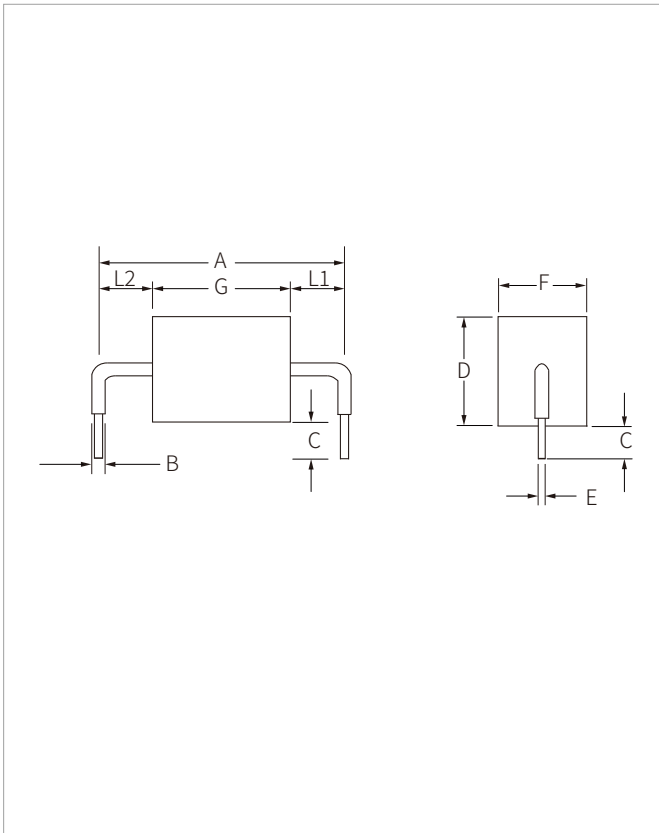

 Fig.4 Typical V_{BR} Vs Junction Temperature


WAVE SOLDERING



Wave Parameter		Lead-free assembly
Pre Heat	Temperature Min	100°C
	Temperature Max	150°C
	Time(min to max)	60 - 180 secs
Solder pot Temperature		280°C Max
Solder Dwell Time		2-5 seconds

AK10 PACKAGE INFORMATION



Ref.	Millimeters		Inches	
	Min.	Max.	Min.	Max.
A	23.15	25.15	0.911	0.990
A-530C	32.70	36.70	1.287	1.445
B	1.80	3.00	0.071	0.118
C	6-20		0.236-0.787	
D	14.48Max		0.570Max	
E	1.22	1.32	0.048	0.052
F	12.70Max		0.500Max	
G-015C	2.60	4.60	0.102	0.181
G-030C	3.23	5.23	0.127	0.206
G-058C/066C/076C	4.08	6.08	0.161	0.240
G-170C/190C	8.20	10.20	0.323	0.402
G-240C	9.67	11.67	0.381	0.459
G-380C/430C	15.50	17.50	0.610	0.689
G-530C	25.5	28.5	1.004	1.122
L1/L2	L1=L2 tolerance ± 0.04 inch(1.0mm)			

ORDERING INFORMATION

Part Number	Component Package	QTY	Packaging Option
AK10 Series	AK10	50pcs/Box	Bulk

To find your local partner within Semiwell' s website : www.semiwell.com.cn

© 2023 Semiwell Microelectronics Co.,Ltd.

The content of this document has been carefully checked and understood. However, neither Semiwell nor its subsidiaries assume any liability whatsoever for any errors or inaccuracies of this document and the consequences thereof. Published specifications are subject to change without notice. Product suitability for any area of application must ultimately be determined by the customer. In all cases, products must never be operated outside their published specifications. Semiwell does not guarantee the availability of all published products. This disclaimer shall be governed by substantive Chinese law and resulting disputes shall be settled by the courts at the place of business of Semiwell. Latest publications and a complete disclaimer can be downloaded from the Semiwell website. All trademarks recognized.