

FEATURES

- | I(hold): 20~2000mA
- | RoHS compliant, Lead-Free
- | Fast time-to-trip
- | Bulk packaging, or tape and reel available
- | Low resistance
- | Radial leaded device



APPLICATIONS

- | PC motherboard - plug and play protection
- | Industrial controls
- | Automotive electronics
- | Medical products

ENVIRONMENTAL SPECIFICATIONS

Test	Conditions	Resistance change
Passive aging	+85°C, 1000 hours	±8% typical
Humidity aging	+85°C, 85%R.H., 100 hours	±8% typical
Thermal shock	+125°C to -55°C, 10hours	±12% typical
Resistance to solvent	MIL-STD-202, Method 215	No change
Vibration	MIL-STD-202, Method 201	No change
Ambient operating conditions : - 40°C to +85°C Maximum surface temperature of the device in the tripped state is 125 °C		

PERFORMANCE SPECIFICATION

Type Number	I_{hold}	I_{trip}	V_{max}	I_{max}	$P_{d\ typ}$	Max. Time to Trip		Ri_{min}	Ri_{max}
	mA	mA	V_{DC}	A	W	Current A	Tmax S	Ω	Ω
SK250-020	20	50	250	3	1.0	0.5	0.5	50	160
SK250-030	30	70	250	3	1.0	0.5	0.5	40	120
SK250-040	40	80	250	3	1.0	0.5	1.5	30	60
SK250-050	50	100	250	3	1.0	0.5	2	25	50
SK250-060	60	120	250	3	1.0	0.5	2	20	60
SK250-080	80	160	250	3	1.0	1	0.5	12	22
SK250-090	90	180	250	3	1.0	1	0.8	10	20
SK250-100	100	200	250	3	1.0	1	1	10	20
SK250-110	110	220	250	3	1.0	1	2.0	6	12
SK250-120	120	240	250	3	1.0	1	2.0	6	12
SK250-145	145	290	250	3	1.0	1	5.0	3.5	6.5
SK250-180	180	650	250	3	1.8	3	1.5	2.0	4.0
SK250-200	200	400	250	5	2.4	3	5	3	6
SK250-400	400	800	250	5	2.8	3	8	1	3
SK250-600	600	1200	250	5	3.2	3	12	0.6	2.0
SK250-800	800	1600	250	5	3.6	4	18	0.4	1.0
SK250-1000	1000	2000	250	7	3.6	5	20	0.3	0.8
SK250-1200	1200	2400	250	7	3.6	6	20	0.2	0.8
SK250-1500	1500	3000	250	7	4.8	7.5	20	0.2	0.6
SK250-2000	2000	4000	250	10	4.8	10	20	0.2	0.4

V_{max} = Maximum operating voltage device can withstand without damage at rated current (I_{max}).

I_{max} = Maximum fault current device can withstand without damage at rated voltage (V_{max}).

I_{hold} = Hold Current. Maximum current device will not trip in 25°C still air.

I_{trip} = Trip Current. Minimum current at which the device will always trip in 25°C still air.

P_{d} = Power dissipation when device is in the tripped state in 25°C still air environment at rated voltage.

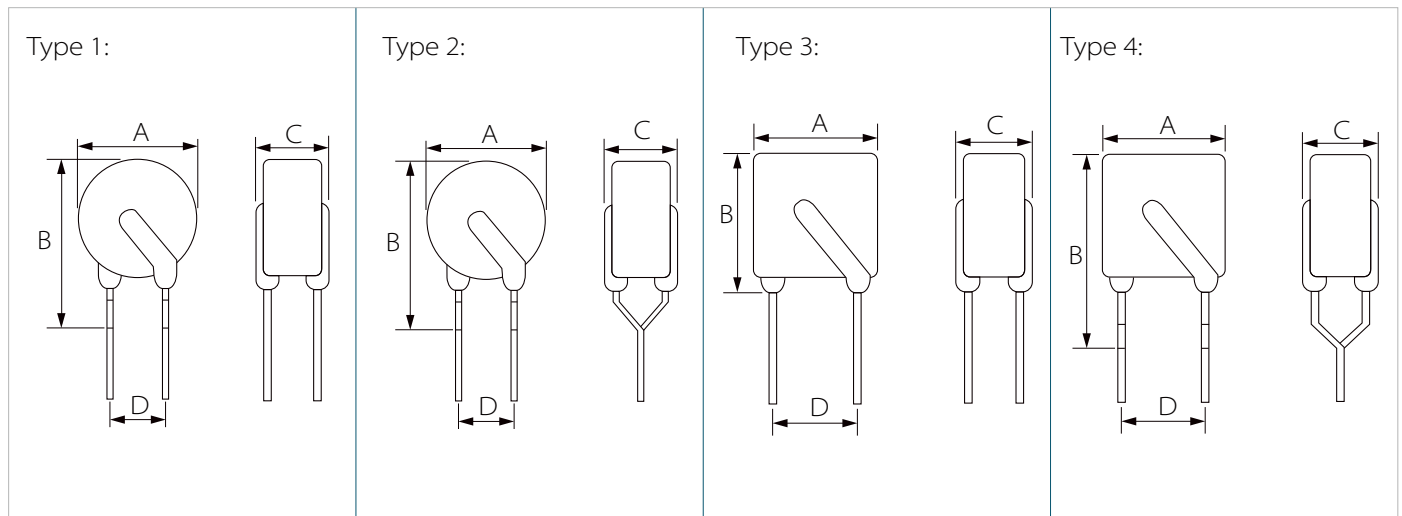
$Ri_{min/max}$ = Minimum/Maximum device resistance prior to tripping at 25°C.

$R1_{max}$ = Maximum device resistance is measured one hour post reflow.

THERMAL DERATING CHART-IH(A)

Part Number	Ambient Operation Temperature									
	-40 °C	-20 °C	0 °C	25 °C	30 °C	40 °C	50 °C	60 °C	70 °C	85 °C
SK250 Series	148%	132%	117%	100%	91%	85%	77%	68%	61%	45%

DIMENSIONS

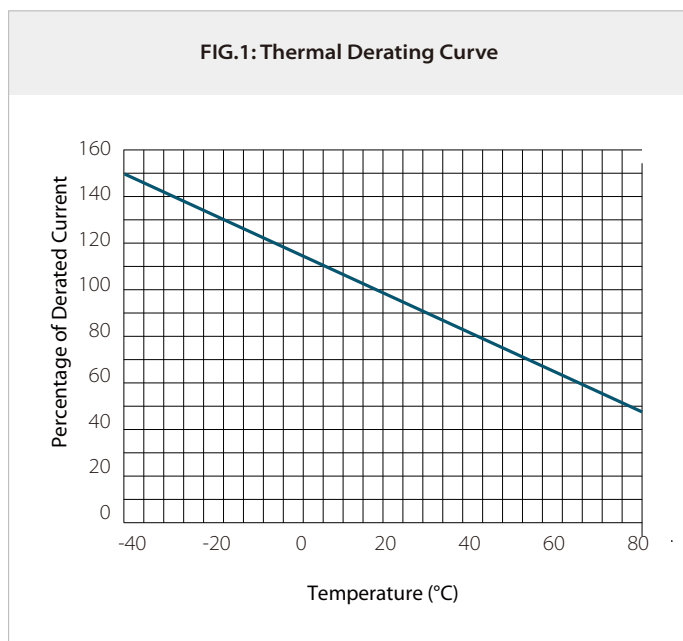


Part Number	A(max)	B(max)	C(max)	D(typ)	E(mm)	TYPE
SK250-020	7.4	12.7	4.5	5.1	Φ0.6	TYPE 1/2
SK250-030	7.4	12.7	4.5	5.1	Φ0.6	TYPE 1/2
SK250-040	7.4	12.7	4.5	5.1	Φ0.6	TYPE 1/2
SK250-050	7.4	12.7	4.5	5.1	Φ0.6	TYPE 1/2
SK250-060	7.4	12.7	4.5	5.1	Φ0.6	TYPE 1/2
SK250-080	7.4	12.7	4.5	5.1	Φ0.6	TYPE 2
SK250-090	7.4	12.7	4.5	5.1	Φ0.6	TYPE 2
SK250-100	7.8	12.6	4.5	5.1	Φ0.6	TYPE 1
SK250-110	7.0	12.6	4.5	5.1	Φ0.6	TYPE 4
SK250-120	7.0	12.6	4.5	5.1	Φ0.6	TYPE 4
SK250-145	7.0	12.6	4.5	5.1	Φ0.6	TYPE 4
SK250-180	9.0	11.0	4.5	5.1	Φ0.6	TYPE 4
SK250-200	12.0	17.0	4.5	5.1	Φ0.6	TYPE 3
SK250-400	12.0	17.0	4.5	5.1	Φ0.6	TYPE 3
SK250-600	12.0	17.0	4.5	5.1	Φ0.6	TYPE 3
SK250-800	20.0	22.5	4.5	5.1	Φ0.8	TYPE 3
SK250-1000	20	22.5	4.5	5.1	Φ0.8	TYPE 3
SK250-1200	22	28	4.5	5.1	Φ0.8	TYPE 3
SK250-1500	25	30	4.5	5.1	Φ0.8	TYPE 3
SK250-2000	26	32	4.5	10.2	Φ0.8	TYPE 3

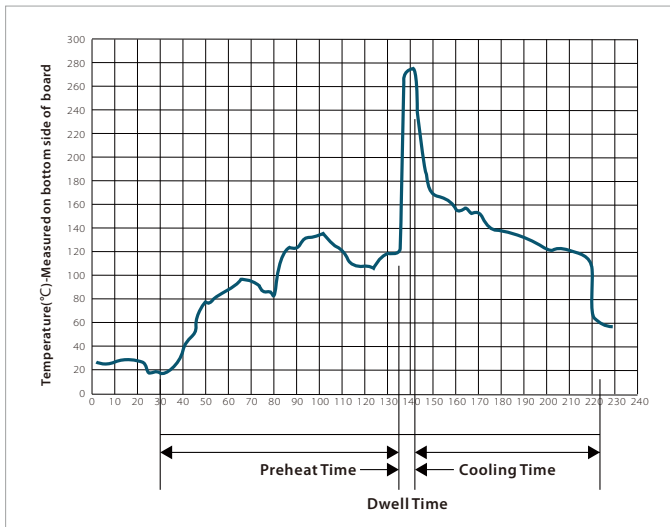
ENVIRONMENTAL SPECIFICATIONS

Items	Test Conditions	Accept/Reject Criteria
Resistance	In still air@25°C	$R_{min} \leq R \leq R_{max}$
Time to Trip	Specified current, V_{max} , 25°C	$T \leq \max.$ Time to trip (T_{trip})
Hold Current	60 min, at IH	No trip
Trip Cycle Life	V_{max} , I_{max} , 100 cycles	No arcing or burning
Trip Endurance	V_{max} , 24 hours	No arcing or burning

PARAMETER CHARACTERISTIC CURVE



WAVE SOLDERING



Wave Parameter		Lead-free assembly
Pre Heat	Temperature Min	100°C
	Temperature Max	150°C
	Time(min to max)	60 – 180 secs
Solder pot Temperature		280°C Max
Solder Dwell Time		2-5 seconds

ORDERING INFORMATION

Part Number	Base Quantity	Packing Option
SK250-020~SK250-180	1000pcs	Bulk
SK250-200~SK250-600	500pcs	Bulk
SK250-800~SK250-2000	200pcs	Bulk

To find your local partner within Semiwell's website : www.semiwell.com.cn

©2023 Semiwell Microelectronics Co.,Ltd.

The content of this document has been carefully checked and understood. However, neither Semiwell nor its subsidiaries assume any liability whatsoever for any errors or inaccuracies of this document and the consequences thereof. Published specifications are subject to change without notice. Product suitability for any area of application must ultimately be determined by the customer. In all cases, products must never be operated outside their published specifications. Semiwell does not guarantee the availability of all published products. This disclaimer shall be governed by substantive Chinese law and resulting disputes shall be settled by the courts at the place of business of Semiwell. Latest publications and a complete disclaimer can be downloaded from the Semiwell website. All trademarks recognized.