

# **GDT**

# **Gas Discharge Tubes**

# **Catalog 2023**



# CATALOGUE

## Headquarters

No.3387 Shendu Road Pujiang  
I&E Park  
Minhang Shanghai China  
201000

## GDT



Website

SG3216 .....	P1
SG3225 .....	P2
SG4532 .....	P3
SG5042 .....	P4
SG2R05 .....	P5
SG2R05-A .....	P6
SG2R05-B .....	P7
SG2R06-A .....	P8
SG2R08-A .....	P9
SG2R08 .....	P10
SG2R09 .....	P11
SG3D05 .....	P12
SG3D05-A .....	P13
SG3D05-B .....	P14
SG3R06 .....	P15
SG3R08-C .....	P16
SG3R08 .....	P17

To find your local partner within Semiware's global network: [www.semiware.com](http://www.semiware.com)

© 2022 Semiware Semiconductor Inc.

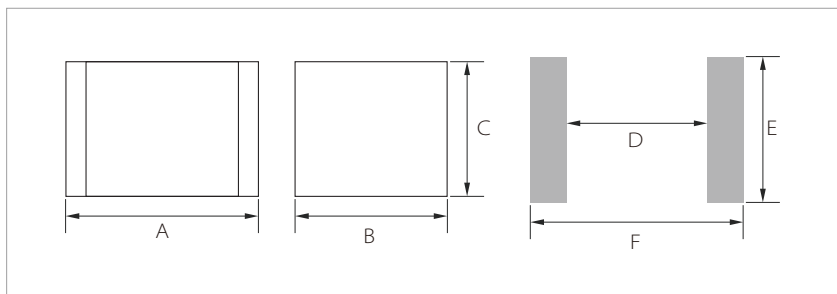
The content of this document has been carefully checked and understood. However, neither Semiware nor its subsidiaries assume any liability whatsoever for any errors or inaccuracies of this document and the consequences thereof. Published specifications are subject to change without notice. Product suitability for any area of application must ultimately be determined by the customer. In all cases, products must never be operated outside their published specifications. Semiware does not guarantee the availability of all published products. This disclaimer shall be governed by substantive Swiss law and resulting disputes shall be settled by the courts at the place of business of Semiware. Latest publications and a complete disclaimer can be downloaded from the Semiware website. All trademarks recognized.

## FEATURES


- | Surface Mounting Design 3.2\*1.6\*1.6mm
- | High Current Handling Capability 500A @ 8/20  $\mu$ s
- | Low Capacitance and Insertion Loss
- | Quick Response and Long Service Life
- | Moisture sensitivity level: Level 1



## PRODUCT DIMENSIONS AND RECOMMENDED SOLDERING PAD



Ref.	mm
A	3.2±0.3mm
B	1.6±0.3mm
C	1.6±0.3mm
D	2.0mm
E	1.8mm
F	4.0mm

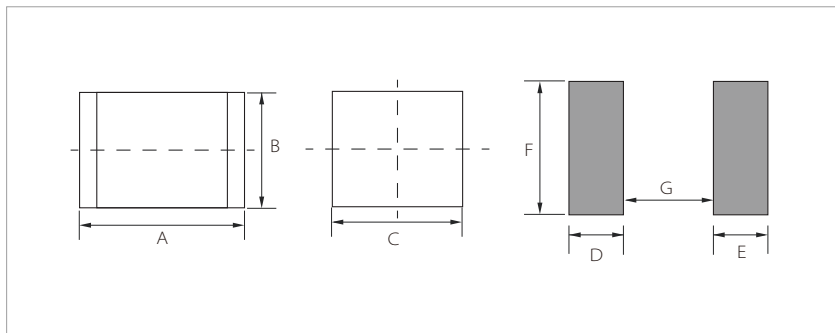
Part Number (Reference)	Pin Number	DC Beakdown Voltage(V)	1KV/us [Max] (V)	50Hz 1sec (A)	8/20us [Typ] (KA)	Cj [max] (pF)	Schematic Symbol
SG3216B150	2	105-195	900	0.5	0.5	0.6	
SG3216B200	2	140-260	900	0.5	0.5	0.6	
SG3216B300	2	210-390	900	0.5	0.5	0.6	
SG3216B350	2	245-455	900	0.5	0.5	0.6	
SG3216B400	2	280-520	1000	0.5	0.5	0.6	
SG3216B470	2	329-611	1000	0.5	0.5	0.6	
SG3216B600	2	420-780	1200	0.5	0.5	0.6	

## FEATURES

- | Surface Mounting Design 3.2\*2.5\*2.5mm
- | High Current Handling Capability 1000A @ 8/20  $\mu$ s
- | Low Capacitance and Insertion Loss
- | Quick Response and Long Service Life
- | Moisture sensitivity level: Level 1



## PRODUCT DIMENSIONS AND RECOMMENDED SOLDERING PAD



Ref.	mm
A	3.2±0.2mm
B	2.5±0.2mm
C	2.5±0.2mm
D	1.2mm
E	1.2mm
F	3mm
G	1.5mm

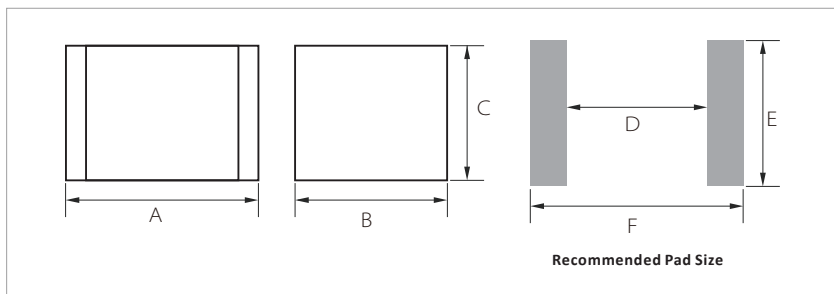
Part Number (Reference)	Pin Number	DC Breakdown Voltage(V)	1KV/ $\mu$ s [Max] (V)	50Hz 1sec (A)	8/20 $\mu$ s [Typ] (KA)	Cj [max] (pF)	Schematic Symbol
SG3225B070	2	56-93	550	2	1	0.5	
SG3225B090	2	63-117	650	2	1	0.5	
SG3225B150	2	120-180	550	2	1	0.5	
SG3225B200	2	160-240	650	2	1	0.5	
SG3225B230	2	184-276	700	2	1	0.5	
SG3225B300	2	240-360	750	2	1	0.5	
SG3225B350	2	280-420	900	2	1	0.5	
SG3225B400	2	320-480	900	2	1	0.5	
SG3225B420	2	336-504	950	2	1	0.5	
SG3225B470	2	376-564	950	2	1	0.5	
SG3225B600	2	420-780	1150	2	1	0.5	
SG3225B800	2	560-1040	1450	2	1	0.5	

## FEATURES


- | Surface Mounting Design 4.5\*3.2\*2.7mm
- | High Current Handling Capability 2000A @ 8/20  $\mu$ s
- | Low Capacitance and Insertion Loss
- | Quick Response and Long Service Life
- | Moisture sensitivity level: Level 1



## PRODUCT DIMENSIONS AND RECOMMENDED SOLDERING PAD

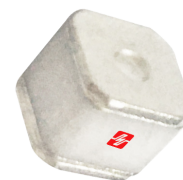


Ref.	mm
A	4.5 $\pm$ 0.3mm
B	3.2 $\pm$ 0.3mm
C	2.7 $\pm$ 0.3mm
D	2.8mm
E	4.0mm
F	5.2mm

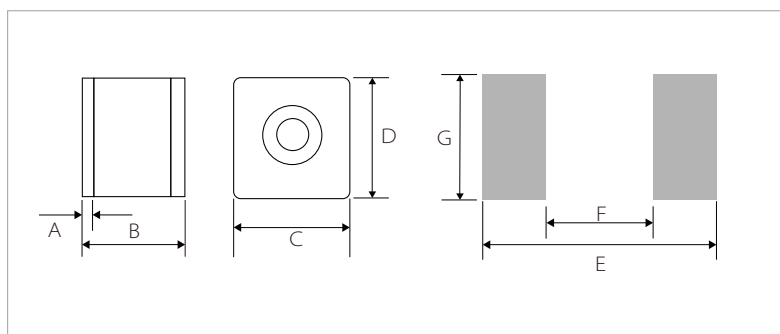
Part Number (Reference)	Pin Number	DC Beakdown Voltage(V)	1KV/us [Max] (V)	50Hz 1sec (A)	8/20us [Typ] (KA)	Cj [max] (pF)	Schematic Symbol
SG4532B070	2	49-91	550	2	2	1.0	
SG4532B075	2	53-97	550	2	2	1.0	
SG4532B090	2	72-108	650	2	2	1.0	
SG4532B150	2	120-180	600	2	2	1.0	
SG4532B200	2	160-240	700	2	2	1.0	
SG4532B300	2	240-360	850	2	2	1.0	
SG4532B350	2	280-420	850	2	2	1.0	
SG4532B400	2	320-480	950	2	2	1.0	
SG4532B420	2	336-504	850	2	2	1.0	
SG4532B470	2	376-564	800	2	2	1.0	
SG4532B600	2	480-720	1200	2	2	1.0	
SG4532B800	2	640-960	1400	2	2	1.0	
SG4532B1000	2	800-1200	1500	2	2	1.0	
SG4532B1400	2	1200-1600	1950	2	2	1.0	
SG4532B090H	2	1200-1600	600	2	2	1.0	

## FEATURES

- | Surface Mounting Design 5.0\*5.0\*4.2mm
- | High Current Handling Capability 5000A @ 8/20  $\mu$ s
- | Low Capacitance and Insertion Loss
- | Quick Response and Long Service Life
- | Moisture sensitivity level: Level 1



## PRODUCT DIMENSIONS AND RECOMMENDED SOLDERING PAD



Ref.	mm
A	0.5±0.1
B	4.2±0.3
C	5.0±0.2
D	5.0±0.2
E	4.7
F	2.5
G	5.5

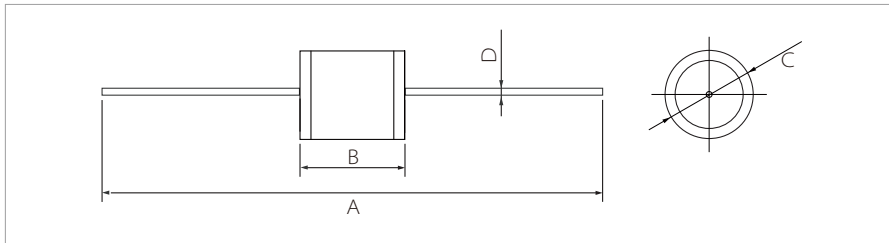
Part Number (Reference)	Pin Number	DC Breakdown Voltage(V)	1KV/ $\mu$ s [Max] (V)	50Hz 1sec (A)	8/20 $\mu$ s [Typ] (KA)	Cj [max] (pF)	Schematic Symbol
SG5042B075	2	53-97	600	5	5	0.8	
SG5042B090	2	72-108	600	5	5	0.8	
SG5042B150	2	120-180	600	5	5	0.8	
SG5042B200	2	160-240	700	5	5	0.8	
SG5042B300	2	240-360	850	5	5	0.8	
SG5042B350	2	280-420	850	5	5	0.8	
SG5042B400	2	320-480	950	5	5	0.8	
SG5042B420	2	336-504	950	5	5	0.8	
SG5042B470	2	376-564	1000	5	5	0.8	
SG5042B600	2	480-720	1200	5	5	0.8	
SG5042B800	2	640-960	1400	5	5	0.8	

## FEATURES


- | Size Design  $\Phi 5.5 \times 6.0 \text{mm}$
- | High Current Handling Capability 5,000A @ 8/20  $\mu\text{s}$
- | Low Capacitance and Insertion Loss
- | Quick Response and Long Service Life
- | Moisture sensitivity level: Level 1



## PRODUCT DIMENSIONS



Ref.	Outline Dimensions
	Millimeters
A	62±2
B	6±0.2
C	$\Phi 5.5 \pm 0.2$
D	$\Phi 0.8$

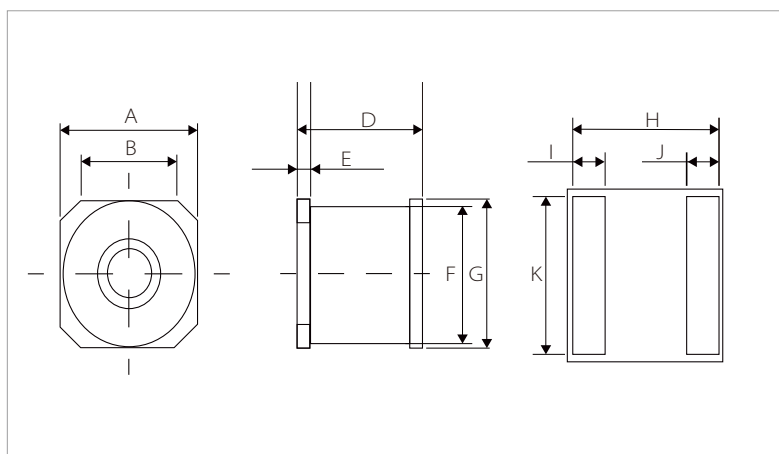
Part Number (Reference)	Pin Number	DC Beakdown Voltage(V)	1KV/us [Max] (V)	50Hz 1sec (A)	8/20us [Typ] (KA)	Cj [max] (pF)	Schematic Symbol
SG2R05B075	2	53-97	600	5	5	1.0	
SG2R05B090	2	72-108	600	5	5	1.0	
SG2R05B150	2	120-180	700	5	5	1.0	
SG2R05B230	2	184-276	700	5	5	1.0	
SG2R05B300	2	240-360	850	5	5	1.0	
SG2R05B350	2	280-420	850	5	5	1.0	
SG2R05B420	2	336-504	850	5	5	1.0	
SG2R05B470	2	376-564	850	5	5	1.0	
SG2R05B600	2	480-720	1300	5	5	1.0	
SG2R05B800	2	640-960	1500	5	5	1.0	
SG2R05B3000	2	2400-3600	3900	5	5	1.0	
SG2R05B3600	2	2880-4320	3900	5	5	1.0	

## FEATURES

- | Size Design 5.4\*5.4\*5.0mm
- | High Current Handling Capability 5000A @ 8/20  $\mu$ s
- | Low Capacitance and Insertion Loss
- | Quick Response and Long Service Life
- | Moisture sensitivity level: Level 1



## DIMENSIONS AND RECOMMENDED SOLDERING PAD



Ref.	mm
A	5.4±0.1
B	3.8
D	5.0±0.2
E	0.5±0.1
F	∅5.0±0.1
G	∅5.4±0.1
H	5.7
I	1.2
J	1.2
K	5.8

Part Number (Reference)	Pin Number	DC Breakdown Voltage(V)	1KV/us [Max] (V)	50Hz 1sec (A)	8/20us [Typ] (KA)	Cj [max] (pF)	Schematic Symbol
SG2R05B075A	2	53-97	600	5	5	1.5	
SG2R05B090A	2	63-117	650	5	5	1.5	
SG2R05B150A	2	120-180	900	5	5	1.5	
SG2R05B230A	2	184-276	900	5	5	1.5	
SG2R05B300A	2	240-360	900	5	5	1.5	
SG2R05B350A	2	280-420	1000	5	5	1.5	
SG2R05B420A	2	336-504	1000	5	5	1.5	
SG2R05B470A	2	376-564	1050	5	5	1.5	
SG2R05B600A	2	480-720	1150	5	5	1.5	

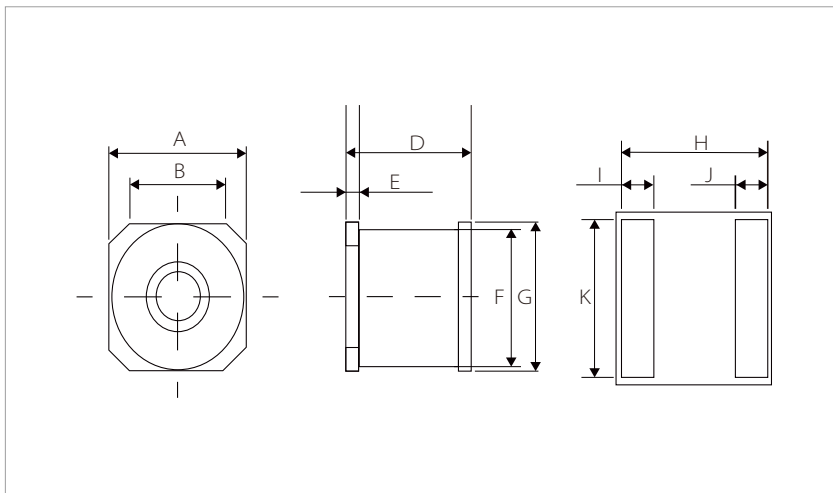


## FEATURES


- | Size Design 5.4\*5.4\*4.0mm
- | High Current Handling Capability 5000A @ 8/20  $\mu$ s
- | Low Capacitance and Insertion Loss
- | Quick Response and Long Service Life
- | Moisture sensitivity level: Level 1



## PRODUCT DIMENSIONS AND RECOMMENDED SOLDERING PAD



Ref.	mm
A	5.4±0.15
B	3.8
C	Φ6.6±0.2
D	4.0±0.2
E	0.5±0.1
F	Φ4.7±0.2
G	Φ5.4±0.15
H	4.7
I	1.3
J	1.3
K	3.9

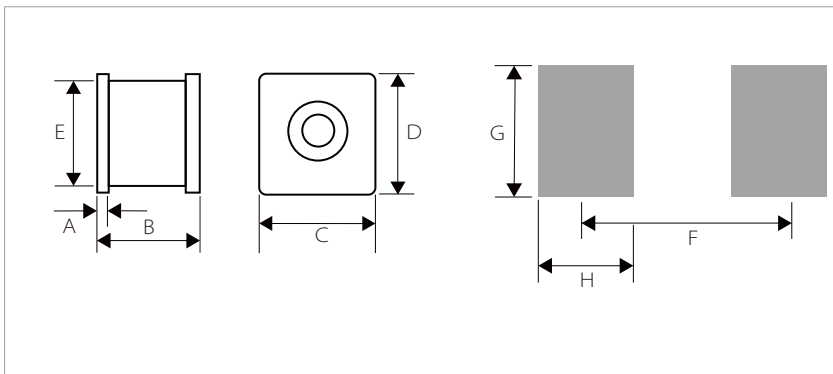
Part Number (Reference)	Pin Number	DC Breakdown Voltage(V)	1KV/us [Max] (V)	50Hz 1sec (A)	8/20us [Typ] (KA)	Cj [max] (pF)	Schematic Symbol
SG2R05B075B	2	53-97	600	5	5	1.0	
SG2R05B090B	2	72-108	600	5	5	1.0	
SG2R05B150B	2	120-180	600	5	5	1.0	
SG2R05B230B	2	184-276	600	5	5	1.0	
SG2R05B350B	2	280-420	600	5	5	1.0	
SG2R05B420B	2	336-504	650	5	5	1.0	
SG2R05B470B	2	376-564	750	5	5	1.0	
SG2R05B600B	2	480-720	1200	5	5	1.0	

## FEATURES

- | Surface Mounting Design 6.2\*6.2\*4.2mm
- | High Current Handling Capability 10000A @ 8/20  $\mu$ s
- | Low Capacitance and Insertion Loss
- | Quick Response and Long Service Life
- | Moisture sensitivity level: Level 1



## PRODUCT DIMENSIONS AND RECOMMENDED SOLDERING PAD



Ref.	mm
A	0.6 $\pm$ 0.1
B	4.2 $\pm$ 0.3
C	6.2 $\pm$ 0.2
D	6.2 $\pm$ 0.2
E	$\Phi$ 6 $\pm$ 0.1
F	3.5
G	6.8
H	1.2

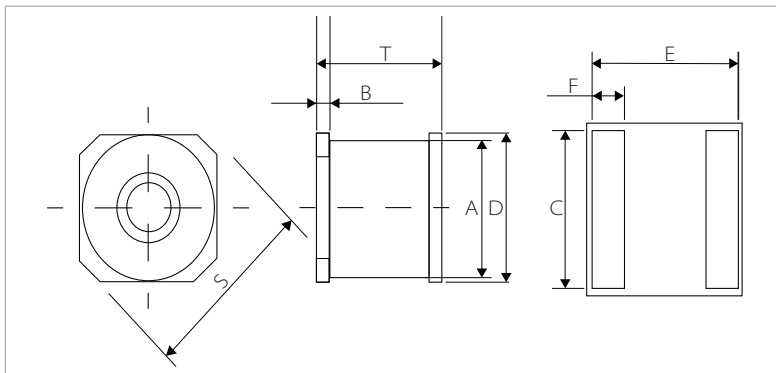
Part Number (Reference)	Pin Number	DC Beakdown Voltage(V)	1KV/us [Max] (V)	50Hz 1sec (A)	8/20us [Typ] (KA)	Cj [max] (pF)	Schematic Symbol
SG2R06B075A	2	60-90	550	5	5	1.5	
SG2R06B090A	2	72-108	550	5	5	1.5	
SG2R06B150A	2	120-180	550	5	5	1.5	
SG2R06B230A	2	184-276	650	5	5	1.5	
SG2R06B250A	2	200-300	650	5	5	1.5	
SG2R06B300A	2	210-360	800	5	5	1.5	
SG2R06B350A	2	280-420	850	5	5	1.5	
SG2R06B400A	2	320-480	800	5	5	1.5	
SG2R06B470A	2	376-564	900	5	5	1.5	
SG2R06B600A	2	480-720	1000	5	5	1.5	
SG2R06B800A	2	640-960	1200	5	5	1.5	
SG2R06B1000A	2	800-1200	1600	5	5	1.5	
SG2R06B1200A	2	960-1440	1800	5	5	1.5	
SG2R06B1800A	2	1440-2160	2600	5	5	1.5	

## FEATURES

- | Surface Mounting Design 8.3\*8.3\*6.0mm
- | High Current Handling Capability 20000A @ 8/20  $\mu$ s
- | Low Capacitance and Insertion Loss
- | Quick Response and Long Service Life
- | Moisture sensitivity level: Level 1



## DIMENSIONS AND RECOMMENDED SOLDERING PAD



A	8.0±0.2
B	0.5±0.1
C	9.0
D	8.3±0.2
E	6.7
F	1.2
T	6.0±0.25
S	9.0±0.4

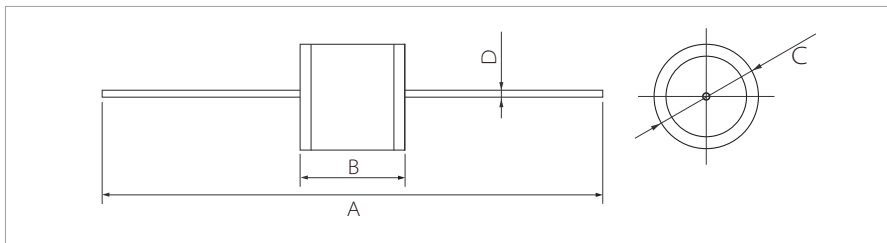
Part Number (Reference)	Pin Number	DC Breakdown Voltage(V)	1KV/us [Max] (V)	50Hz 1sec (A)	8/20us [Typ] (KA)	Cj [max] (pF)	Schematic Symbol
SG2R08B075A	2	60-90	550	20	20	1.5	
SG2R08B090A	2	72-108	550	20	20	1.5	
SG2R08B150A	2	120-180	450	20	20	1.5	
SG2R08B200A	2	160-240	500	20	20	1.5	
SG2R08B230A	2	181-276	550	20	20	1.5	
SG2R08B300A	2	240-360	600	20	20	1.5	
SG2R08B350A	2	280-420	650	20	20	1.5	
SG2R08B400A	2	320-480	750	20	20	1.5	
SG2R08B470A	2	376-564	800	20	20	1.5	
SG2R08B600A	2	480-720	900	20	20	1.5	
SG2R08B800A	2	640-960	1150	20	10	1.5	
SG2R08B1000A	2	800-1200	1400	10	10	1.5	
SG2R08B1500A	2	1200-1800	2400	10	10	1.5	
SG2R08B2000A	2	1600-2400	2900	10	10	1.5	
SG2R08B2500A	2	2000-3000	3200	10	10	1.5	

## FEATURES


- | Size Design  $\Phi 8.0 \times 6.0 \text{mm}$
- | High Current Handling Capability 10,000A @ 8/20  $\mu\text{s}$
- | Low Capacitance and Insertion Loss
- | Quick Response and Long Service Life
- | Moisture sensitivity level: Level 1



## PRODUCT DIMENSIONS

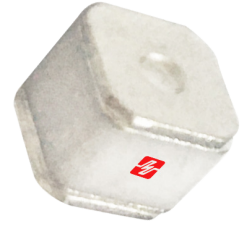


Ref	Outline Dimensions
	Millimeters
A	62±2
B	6±0.2
C	$\Phi 8.0 \pm 0.2$
D	$\Phi 0.8$

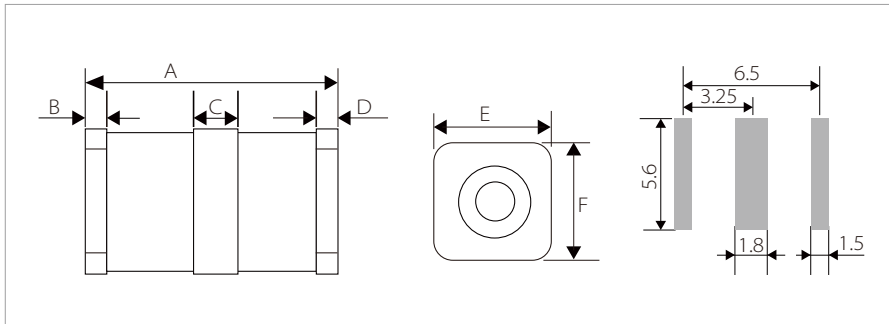
Part Number (Reference)	Pin Number	DC Beakdown Voltage(V)	1KV/us [Max] (V)	50Hz 1sec (A)	8/20us [Typ] (KA)	Cj [max] (pF)	Schematic Symbol
SG2R08B075	2	60-90	500	10	10	1.5	
SG2R08B090	2	72-108	500	10	10	1.5	
SG2R08B150	2	120-180	500	10	10	1.5	
SG2R08B230	2	184-276	750	10	10	1.5	
SG2R08B350	2	280-420	950	10	10	1.5	
SG2R08B420	2	336-504	950	10	10	1.5	
SG2R08B420H	2	336-504	950	20	20	1.5	
SG2R08B470	2	376-564	1000	10	10	1.5	
SG2R08B600	2	480-720	1300	10	10	1.5	
SG2R08B1400	2	1120-1680	2150	5	5	1.5	
SG2R08B1600	2	1280-1920	2300	5	5	1.5	
SG2R08B2000	2	1600-2400	2300	5	5	1.5	
SG2R08B2500	2	2000-3000	3500	5	5	1.5	
SG2R08B3000	2	2400-3600	4500	5	5	1.5	
SG2R08B3500	2	2800-4200	2100	5	2.5	1.5	

## FEATURES


- | Surface Mounting Design 8.3\*8.3\*6.0mm
- | High Current Handling Capability 20000A @ 8/20  $\mu$ s
- | Low Capacitance and Insertion Loss
- | Quick Response and Long Service Life
- | Moisture sensitivity level: Level 1



## PRODUCT DIMENSIONS AND RECOMMENDED SOLDERING PAD



Ref.	Outline Dimensions
	Millimeters
A	7.3±0.2
B	0.5±0.2
C	1.0±0.2
D	0.5±0.2
E	5.0±0.2
F	5.0±0.2

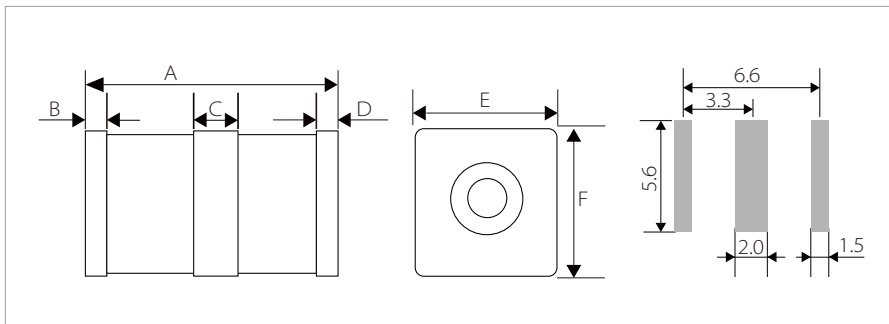
Part Number (Reference)	Pin Number	DC Breakdown Voltage(V)	1KV/us [Max] (V)	50Hz 1sec (A)	8/20us [Typ] (KA)	Cj [max] (pF)	Schematic Symbol
SG2R09B075	3	60-90	550	20	20	1.5	
SG2R09B090	3	72-108	550	20	20	1.5	
SG2R09B150	3	120-180	450	20	20	1.5	
SG2R09B200	3	160-240	500	20	20	1.5	
SG2R09B230	3	184-276	550	20	20	1.5	
SG2R09B300	3	240-360	600	20	20	1.5	
SG2R09B350	3	280-420	650	20	20	1.5	
SG2R09B400	3	320-480	750	20	20	1.5	
SG2R09B470	3	376-564	800	20	20	1.5	
SG2R09B600	3	480-720	900	20	20	1.5	
SG2R09B800	3	640-960	1150	20	10	1.5	
SG2R09B1000	3	800-1200	1400	10	10	1.5	
SG2R09B1500	3	1200-1800	2400	10	10	1.5	
SG2R09B2000	3	1600-2400	2900	10	10	1.5	
SG2R09B2500	3	2000-3000	3200	10	10	1.5	

## FEATURES

- | Surface Mounting Design 5.0\*5.0\*7.5mm
- | High Current Handling Capability 5,000A @ 8/20  $\mu$ s
- | Low Capacitance and Insertion Loss
- | Quick Response and Long Service Life
- | Moisture sensitivity level: Level 1



## PRODUCT DIMENSIONS AND RECOMMENDED SOLDERING PAD



Ref.	Outline Dimensions
	Millimeters
A	7.6 $\pm$ 0.3
B	0.5 $\pm$ 0.2
C	1.6 $\pm$ 0.2
D	0.5 $\pm$ 0.2
E	5.0 $\pm$ 0.2
F	5.0 $\pm$ 0.2

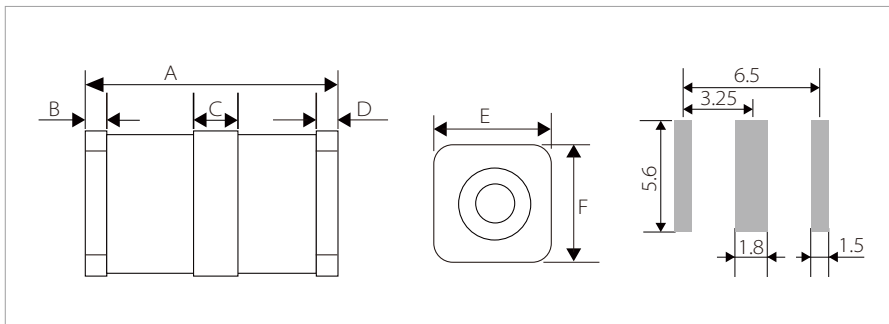
Part Number (Reference)	Pin Number	DC Beakdown Voltage(V)	1KV/us [Max] (V)	50Hz 1sec (A)	8/20us [Typ] (KA)	Cj [max] (pF)	Schematic Symbol
SG3D05B075	3	53-97	600	5	5	1.5	
SG3D05B090	3	72-108	600	5	5	1.5	
SG3D05B150	3	120-180	600	5	5	1.5	
SG3D05B200	3	160-240	700	5	5	1.5	
SG3D05B230	3	184-276	600	5	5	1.5	
SG3D05B250	3	200-300	700	5	5	1.5	
SG3D05B350	3	280-420	900	5	5	1.5	
SG3D05B420	3	336-504	900	5	5	1.5	
SG3D05B470	3	376-564	900	5	5	1.5	
SG3D05B600	3	480-720	1200	5	5	1.5	
SG3D05B800	3	640-960	1500	5	5	1.5	

## FEATURES

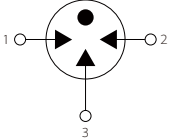
- | Surface Mounting Design 5.0\*5.0\*7.3mm
- | High Current Handling Capability 5,000A @ 8/20  $\mu$ s
- | Low Capacitance and Insertion Loss
- | Quick Response and Long Service Life
- | Moisture sensitivity level: Level 1



## PRODUCT DIMENSIONS AND RECOMMENDED SOLDERING PAD



Ref.	Outline Dimensions
	Millimeters
A	7.3±0.2
B	0.5±0.2
C	1.0±0.2
D	0.5±0.2
E	5.0±0.2
F	5.0±0.2

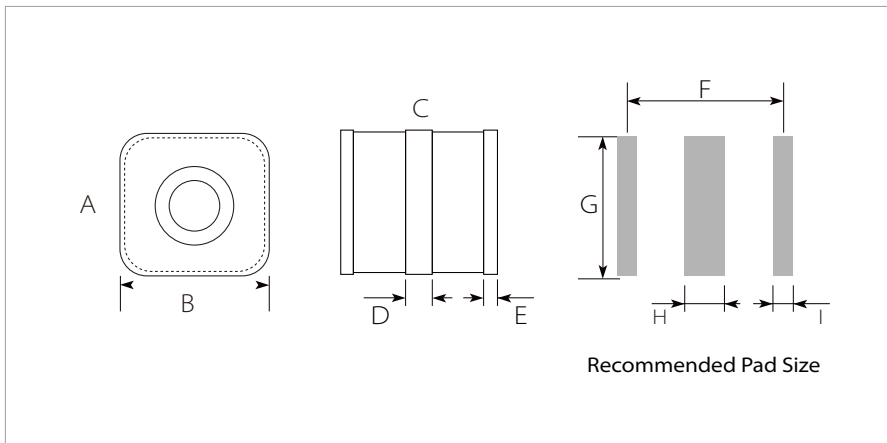
Part Number (Reference)	Pin Number	DC Beakdown Voltage(V)	1KV/us [Max] (V)	50Hz 1sec (A)	8/20us [Typ] (KA)	Cj [max] (pF)	Schematic Symbol
SG3D05B075A	3	53-97	600	5	5	1.5	
SG3D05B090A	3	72-108	600	5	5	1.5	
SG3D05B150A	3	120-180	600	5	5	1.5	
SG3D05B200A	3	160-240	700	5	5	1.5	
SG3D05B230A	3	184-276	600	5	5	1.5	
SG3D05B250A	3	200-300	700	5	5	1.5	
SG3D05B350A	3	280-420	900	5	5	1.5	
SG3D05B420A	3	336-504	900	5	5	1.5	
SG3D05B470A	3	376-564	900	5	5	1.5	
SG3D05B600A	3	480-720	1200	5	5	1.5	
SG3D05B800A	3	640-960	1500	5	5	1.5	

## FEATURES

- | Size Design 5.0\*5.0\*7.5mm
- | High Current Handling Capability 5000A @ 8/20  $\mu$ s
- | Low Capacitance and Insertion Loss
- | Quick Response and Long Service Life
- | Moisture sensitivity level: Level 1



## PRODUCT DIMENSIONS



Ref.	Outline Dimensions
	Millimeters
A	5.0±0.2
B	5.0±0.2
C	7.5±0.3
D	1.5±0.3
E	0.5±0.2
F	6.4
G	5.5
H	2.8
I	1.6

Part Number (Reference)	Pin Number	DC Beakdown Voltage(V)	1KV/us [Max] (V)	50Hz 1sec (A)	8/20us [Typ] (KA)	Cj [max] (pF)	Schematic Symbol
SG3D05B075B	3	53-97	600	5	5	1.5	
SG3D05B090B	3	72-108	600	5	5	1.5	
SG3D05B150B	3	120-180	600	5	5	1.5	
SG3D05B200B	3	160-240	700	5	5	1.5	
SG3D05B230B	3	184-276	600	5	5	1.5	
SG3D05B250B	3	200-300	700	5	5	1.5	
SG3D05B350B	3	280-420	900	5	5	1.5	
SG3D05B420B	3	336-504	900	5	5	1.5	
SG3D05B470B	3	376-564	900	5	5	1.5	
SG3D05B600B	3	480-720	1200	5	5	1.5	
SG3D05B800B	3	640-960	1500	5	5	1.5	

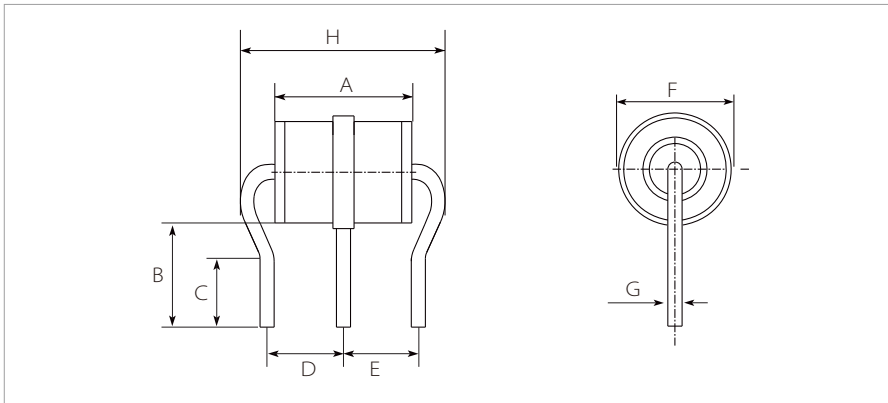


## FEATURES

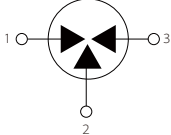
- | Size Design  $\Phi 6.0 \times 8.0 \text{mm}$
- | High Current Handling Capability 10,000A @ 8/20  $\mu\text{s}$
- | Low Capacitance and Insertion Loss
- | Quick Response and Long Service Life
- | Moisture sensitivity level: Level 1



## PRODUCT DIMENSIONS



Ref.	Outline Dimensions
	Millimeters
A	8.0±0.3
B	5.0±1.0
C	3.3±0.3
D	4.4±0.3
E	4.4±0.3
F	$\Phi 6.0 \pm 0.2$
G	$\Phi 0.8$
H	11±1

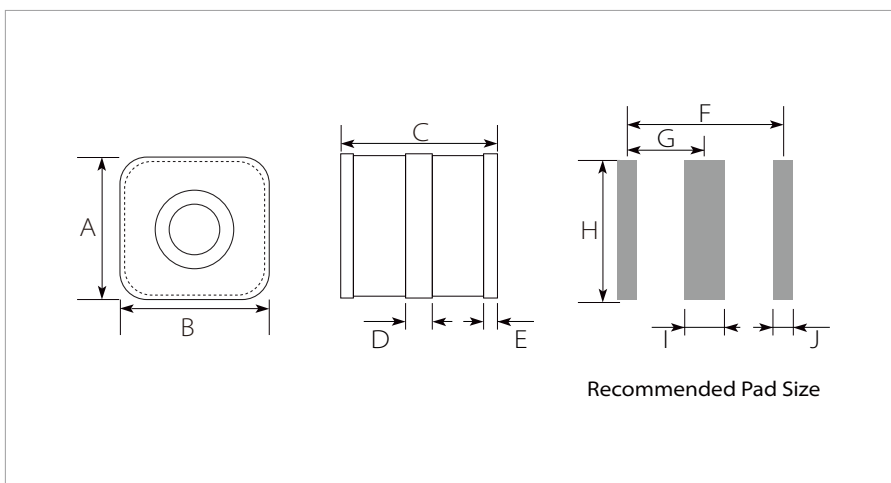
Part Number (Reference)	Pin Number	DC Breakdown Voltage(V)	1KV/us [Max] (V)	50Hz 1sec (A)	8/20us [Typ] (KA)	Cj [max] (pF)	Schematic Symbol
SG3R06B075	3	53-97	600	10	10	2	
SG3R06B090	3	72-108	600	10	10	2	
SG3R06B150	3	120-180	850	10	10	2	
SG3R06B230	3	184-276	700	10	10	2	
SG3R06B300	3	240-360	900	10	10	2	
SG3R06B350	3	280-420	900	10	10	2	
SG3R06B420	3	336-504	1000	10	10	2	
SG3R06B470	3	376-564	1000	10	10	2	
SG3R06B600	3	480-720	1200	10	10	2	
SG3R06B800	3	640-960	1500	10	10	2	

## FEATURES

- | Size Design 8.0\*10.0mm
- | High Current Handling Capability 10,000A @ 8/20  $\mu$ s
- | Low Capacitance and Insertion Loss
- | Quick Response and Long Service Life
- | Moisture sensitivity level: Level 1



## PRODUCT DIMENSIONS



Ref	Outline Dimensions
	Millimeters
A	8.0+0.2,-0.8
B	7.9±0.2
C	10.0±0.5
D	1.5±0.2
E	0.5±0.1
F	10.0
G	5.0
H	8.0
I	3.0
J	1.5

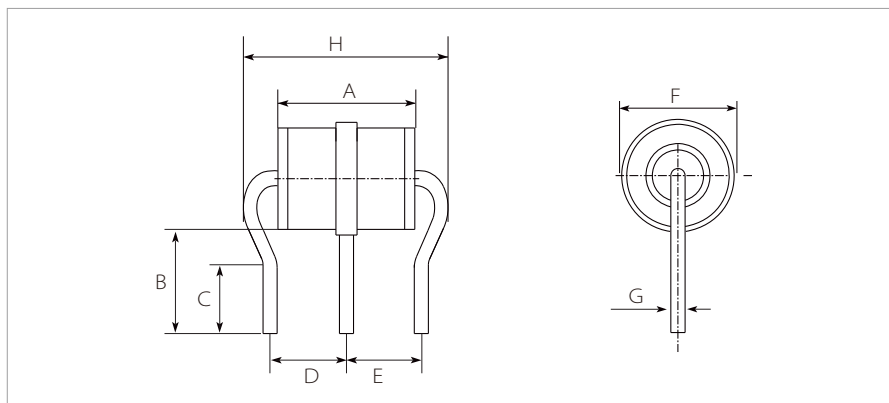
Part Number (Reference)	Pin Number	DC Beakdown Voltage(V)	1KV/us [Max] (V)	50Hz 1sec (A)	8/20us [Typ] (KA)	Cj [max] (pF)	Schematic Symbol
SG3R08B075C	3	60-90	700	10	10	2	
SG3R08B090C	3	72-108	600	10	10	2	
SG3R08B150C	3	120-180	600	10	10	2	
SG3R08B230C	3	184-276	700	10	10	2	
SG3R08B350C	3	280-420	900	10	10	2	
SG3R08B420C	3	336-504	950	10	10	2	
SG3R08B470C	3	376-564	1000	10	10	2	
SG3R08B600C	3	480-720	1200	10	10	2	
SG3R08B800C	3	640-960	1500	10	10	2	

## FEATURES

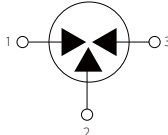
- | Size Design  $\Phi 8.0 \times 10.0 \text{mm}$
- | High Current Handling Capability 10,000A @ 8/20  $\mu\text{s}$
- | Low Capacitance and Insertion Loss
- | Quick Response and Long Service Life
- | Moisture sensitivity level: Level 1



## PRODUCT DIMENSIONS



Ref.	Outline Dimensions
	Millimeters
A	10 $\pm$ 0.3
B	7.0 $\pm$ 0.5
C	4.0 $\pm$ 0.5
D	4.4 $\pm$ 0.3
E	4.4 $\pm$ 0.3
F	$\Phi 8.0 \pm 0.2$
G	$\Phi 1.0$
H	13 $\pm$ 1

Part Number (Reference)	Pin Number	DC Breakdown Voltage(V)	1KV/us [Max] (V)	50Hz 1sec (A)	8/20us [Typ] (KA)	Cj [max] (pF)	Schematic Symbol
SG3R08B075	3	60-90	700	10	10	2	
SG3R08B090	3	72-108	600	10	10	2	
SG3R08B150	3	120-180	600	10	10	2	
SG3R08B230	3	184-276	700	10	10	2	
SG3R08B350	3	280-420	900	10	10	2	
SG3R08B420	3	336-504	950	10	10	2	
SG3R08B470	3	376-564	1000	10	10	2	
SG3R08B600	3	480-720	1200	10	10	2	
SG3R08B800	3	640-960	1500	10	10	2	

Build Your Design As You Will



Technical support: 400-021-5756  
[Http://www.semiware.com](http://www.semiware.com)

